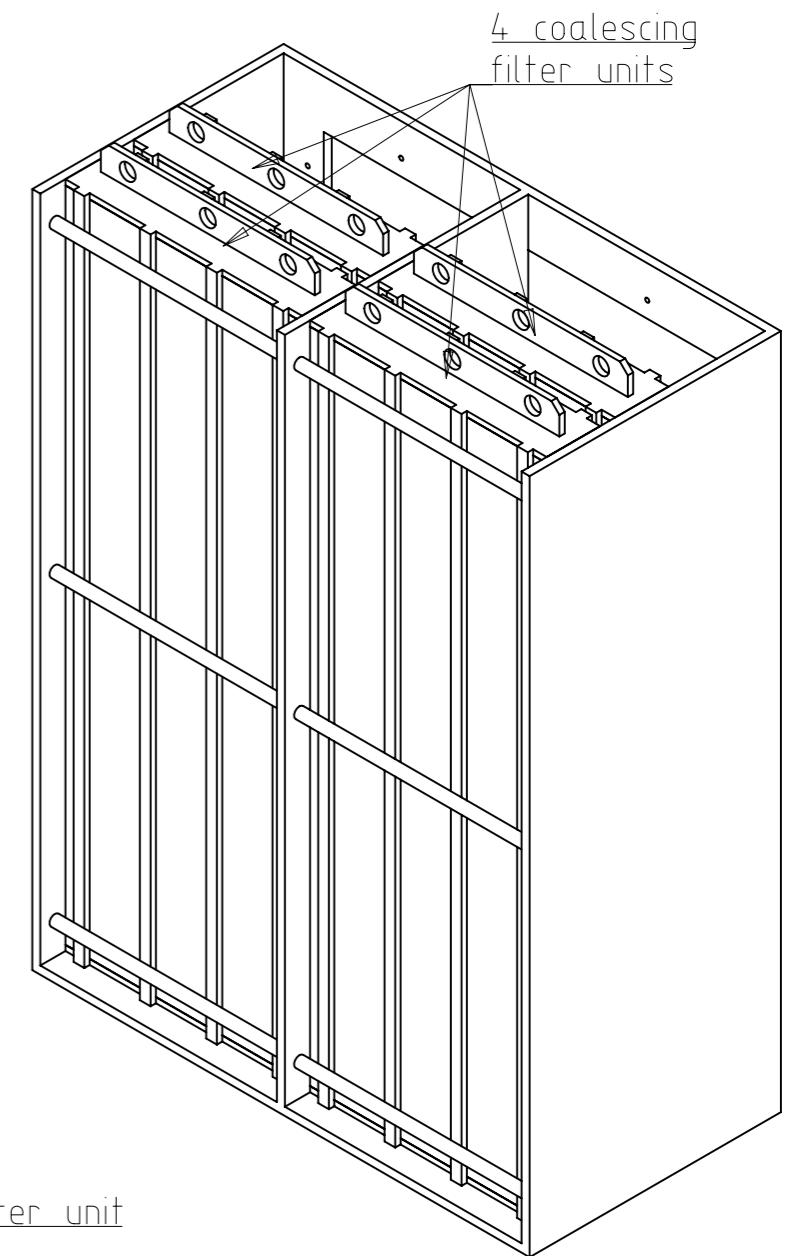
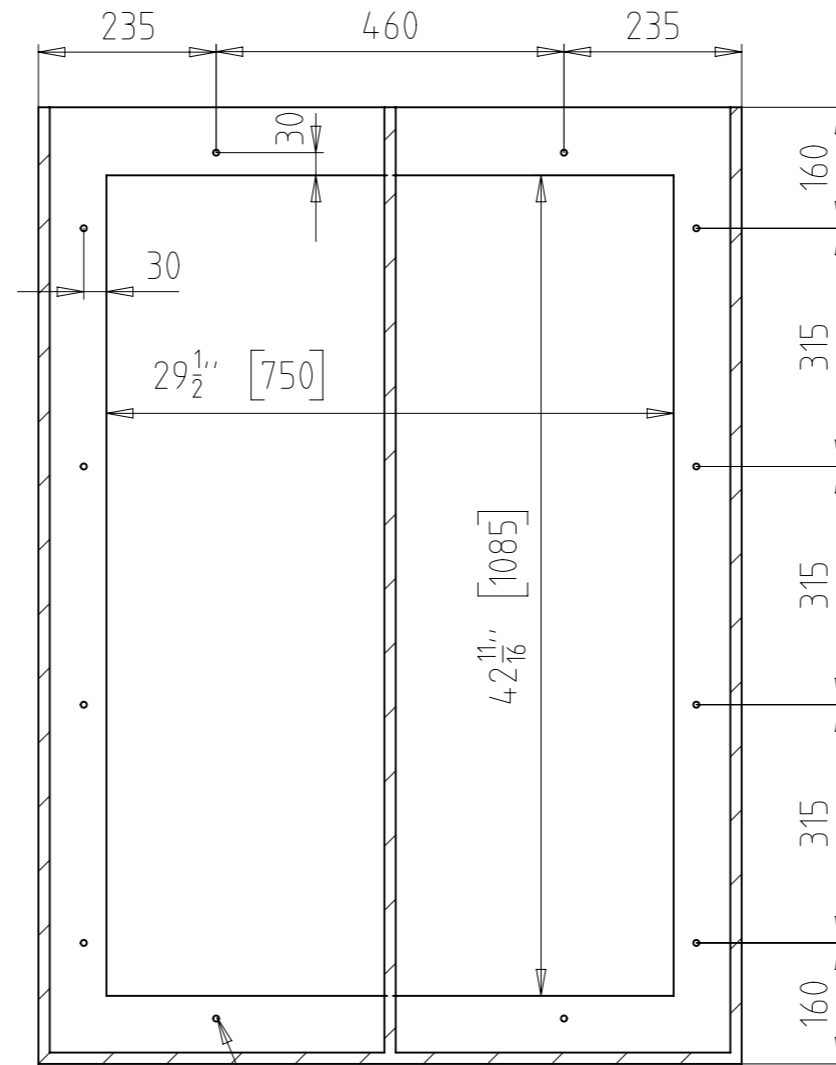
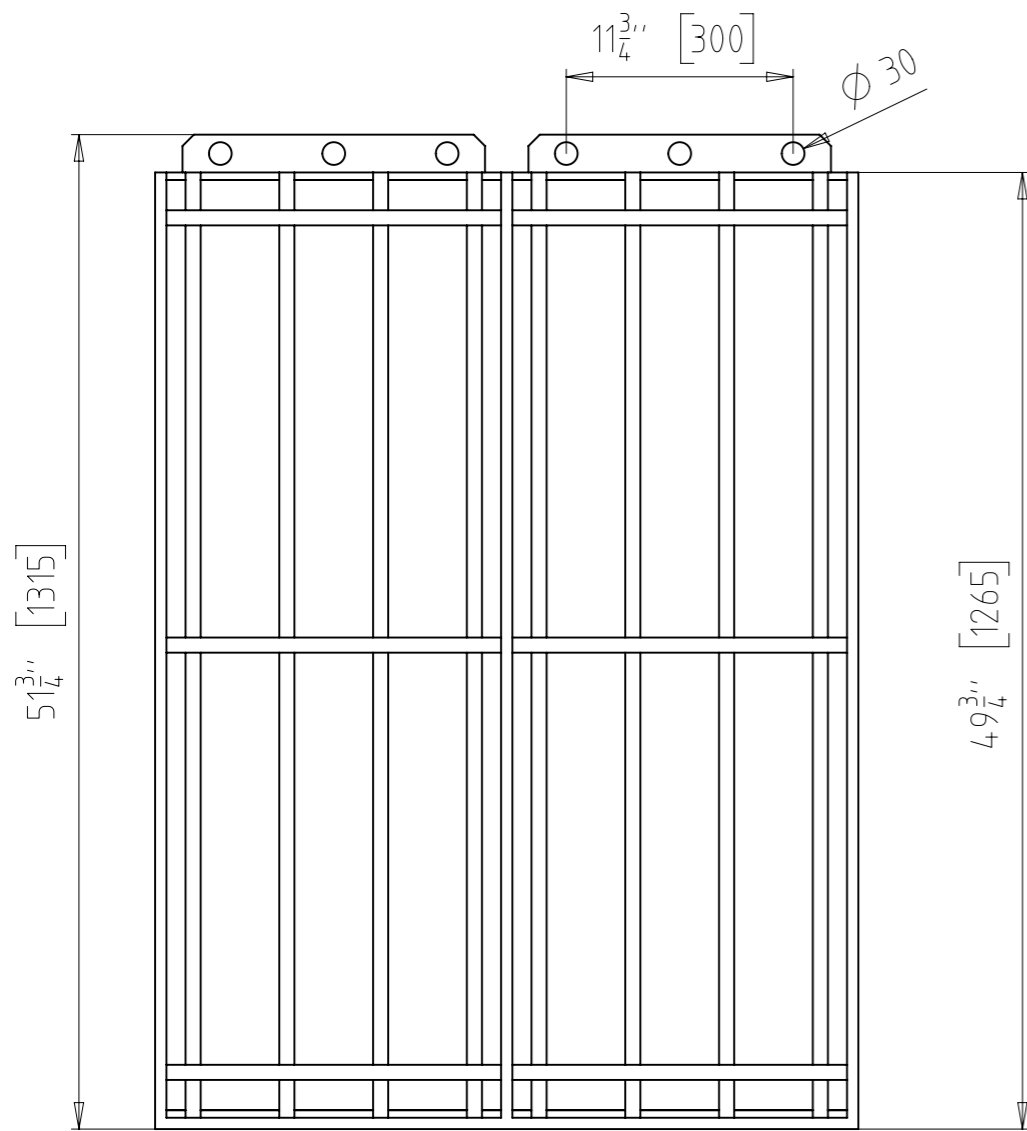
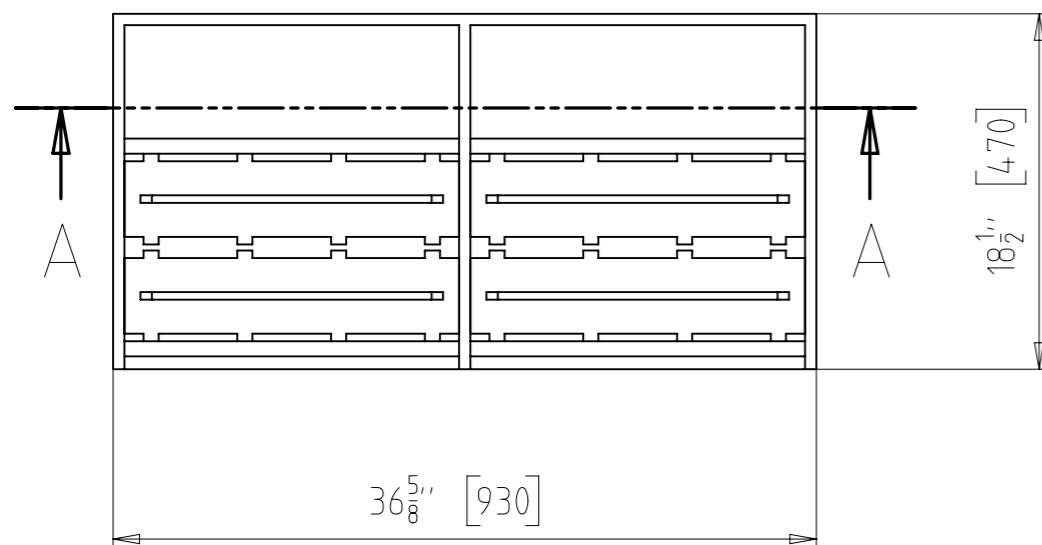


SCHNITT A-A

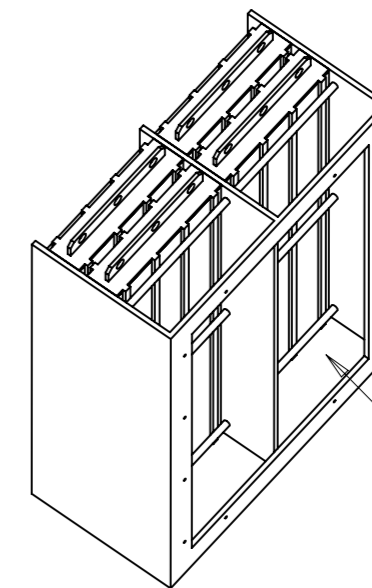


12 holes to bolt the coalescing filter unit to the wall
use 12 stainless steel M8mm bolts



Model:
ecoSep XL NG40
Flow rate: 640 GPM (40l/s)

Filter Unit:
each contains 2 filter panels
panel size: 49,2"x17,7"x2,0" (1250x450x50mm)



min. rectangular hole dimensions, needed through the concrete wall:

Height: 800 mm
Width: 250 mm